

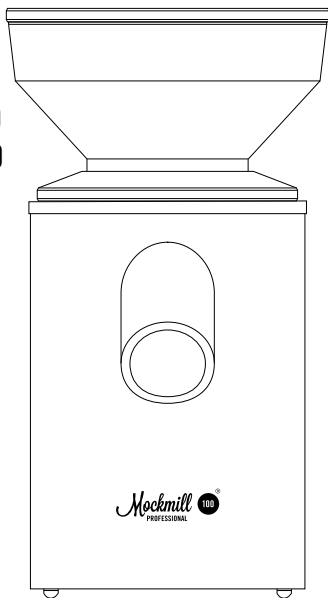
Mockmill



OPERATING INSTRUCTIONS

Mockmill Professional 100 Mockmill Professional 200

Stone mill for milling grains,
pulses and spices



Please read the operating instructions before using your Mockmill for the first time to protect yourself from injury and avoid damaging the appliance.

PUT FRESH FLOUR IN YOUR LIFE
get the most out of grains

taste

FRESHLY
GROUND
FLOUR

TASTES BETTER

feel

HOME-MADE
FOOD IS GOOD
FOR YOU

AND WHOLESOME

explore

ANYONE
CAN BAKE GOOD
BREAD

JUST TRY IT



**JOIN THE
FOOD
REVOLUTION**

Dear customer,

We are very pleased that you have purchased one of our Mockmills and welcome you to the world of fresh milling. Now you begin enjoying the variety, the great taste and the full flavour of whole grains and other millable foods.

2000 years ago, the Romans understood that eating whole grains is essential for health and high performance. Each Roman soldier received 800 g of wheat every day; every group carried a large hand-operated stone mill. That enabled them to mill freshly their daily ration, just-in-time. This is much easier today with your new Mockmill. Try it our right away and enjoy a meal that makes you healthy.

We wish you years of enjoyment of your Mockmill, and of the fabulous, healthy foods you will make. We would be delighted to receive any feedback you have.

Best regards
Wolfgang Mock und Paul Lebeau

Welcome to the world of Mockmill!

QUICK GUIDE

Before the first use

Please mill a handful of grain on scale 6 and then discard the flour. This will remove any mineral debris from the manufacturing process on the milling stones.

Getting started - Please follow in order

1. Connect the plug to the power socket
2. Place a bowl beneath the chute
3. Select milling grade
- 4. Switch on the mill**
5. Add the grain to the hopper

After milling switch the mill off.

Contents

Welcome	page 3
Quick Guide	page 4
Precautions and safety notices	page 6
Components	page 8
Getting started and cleaning	page 9
Opening the Mockmill	page 10
Further operating instructions	page 11
Millable foods and grade settings	page 12
Troubleshooting	page 16
Warranty and repair	page 17
Transport packaging and recycling	page 18
Technical details and contents	page 19

PRECAUTIONS AND SAFETY NOTICES

Please read carefully before using your Mockmill for the first time.

Selecting grain

Use only cleaned grains. Unclean grain may contain small stones that can damage the milling stones.

Milling foods or substances other than those listed on pages 12 - 14 can damage your mill and void the warranty. In case of doubt, please contact us by sending an e-mail to info@mockmill.com

Only use dry grain for milling

Moist grain will lead to the build-up of a film on the milling stones. You can remove the film simply by milling dry grain on a coarse setting. (Operating instructions p. 12).

If in doubt, press a kernel onto a hard surface with the back of

a spoon: If it breaks with a loud crack, the grain is dry.

Grains that are too damp for milling can be squashed flat and then they look like a rolled oat. Rye should be stored for at least six months following harvesting before milling.

More information about the different grain types and their uses as well as the adjustment of the milling grades can be found on our website under Service/Help on **mockmill.com**

Milling spices

The Mockmill easily handles dried spices and seasonings, including pepper, coriander, cardamon, cinnamon, and more. Please note that some spices, such as cinnamon, may need to be broken into pieces small enough to feed into the Mockmill.

To flush the mill of the aroma of milled spices, simply mill a small amount of grain (such as wheat

or rice) right away. Then use this “flavored flour” to add aroma to your baking or sauces!

Oily/fatty foods

Please refrain from milling nuts or oily foods such as sesame, flax, or poppy seeds. Even coffee beans contain a great deal of oil, which leaves a film on the milling stones, rendering them incapable of processing the grain properly. However, you have the option to mill oily products or fresh herbs by milling them together with dry grains (mixing ratio: 5% oily product to 95% dry).

How to clean the milling stones and milling chamber

Choose a coarse setting and mill about half a cup of dry grain, such as wheat or rice. Move the lever from coarse to fine and back again while milling. Milling on a very coarse setting, so that the grains are just broken, will quickly remove any film from the milling stones. For thoroughness the grains can be passed

repeatedly through the Mockmill. In severe cases, when a hard film has built up on the stones, it is advisable that a few slits be cut into the film’s surface with a sharp object, such as the tip of a paring knife. This creates a starting point for the cleaning process.

Supervision

The Mockmill is a piece of electrical equipment and should only be used under proper supervision (and not by children).

Warning

Keep hands and other objects (such as spoons or screwdrivers) away from the milling mechanism at all times. Failure to do so could cause injury (to the fingers) and/or damage the milling stones.

Cleaning

Never submerge the Mockmill in water or any other liquid. Wipe the casing clean with a slightly damp cloth. It is important that no water enter the mill. The millstones should never be

cleaned with water or a wet cloth! (Please see the section “Cleaning the Mockmill”). Always disconnect the appliance before cleaning.

COMPONENTS

A: Hopper cover

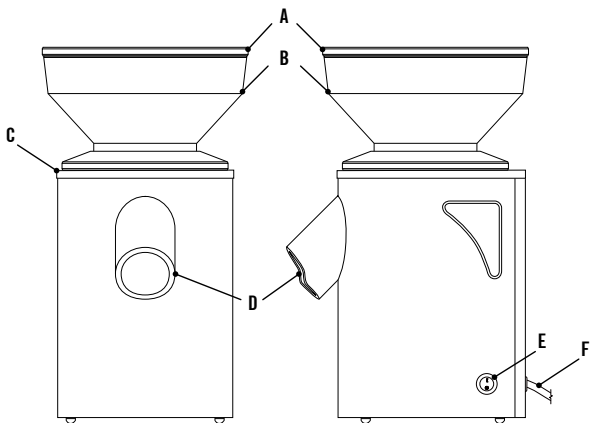
B: Hopper

C: Scale

D: Chute

E: Power switch

F: Power cable



GETTING STARTED AND CLEANING

Before first use

Please mill a handful of grain on scale 6 and then discard the flour. This will remove any mineral debris from the manufacturing process on the milling stones.

Getting started

1. Connect the plug to the power socket.
2. Place a bowl beneath the chute.
3. Select milling grade.
- 4. Switch on the mill.**
5. Add grain to the hopper.

After milling, switch the mill off.

Cleaning

The milling stones clean themselves if you select a coarse setting from time to time. If the mill is not to be used for a while (extended vacation, for example), we recommend removing flour residues by milling on a coarser setting. Please see “How to clean the Mockmill” on p. 7.

OPENING THE MOCKMILL

If the Mockmill is not operating properly, or if heavy soiling is suspected it makes sense to open the Mockmill. Now the milling chamber can be cleaned thoroughly. Please follow the instructions below.



Please disconnect the Mockmill from the power socket before opening. Turn the hopper anti clockwise.



You can now lift the upper stone (stator) and control the milling surfaces.

If a hard film has built up on the stones please remove this by following the instructions on page 16. Then the stator can be put back on.

**FURTHER
QUESTIONS?**
info@mockmill.com



Take the hopper and turn it one full time clockwise. Then plug the mill into the power socket and switch on. Turn the mill further until you hear a slight ticking noise.

FURTHER OPERATING INSTRUCTIONS.

On our homepage mockmill.com you will find videos containing further operating instructions under Service/Help on **mockmill.com**

SUBSTANCES FOR MILLING AND ADJUSTING THE SETTINGS

You can use your Mockmill to mill the following substances:

<u>Soft Grains</u> <u>Hard Grains</u> <u>Seeds</u> <u>Legumes</u>	Mockmill Professional 100 Milling Scale	Mockmill Professional 200 Milling Scale	Essential oils	Special Notes
Amaranth	0–1	0–1	–	
Buckwheat	0–1	0–1	–	
Chia seeds	6–7	7	–	
Spelt	1	1–2	–	
Einkorn wheat	1	1–2	–	
Emmer wheat	0–1	1	–	
Green spelt	1	1	–	
Oats	3	4–5	–	
Dried peas	1	1	–	
Millet	1	1	–	
Kamut	1	0–1	–	
Chickpeas	4–5	3–4	–	
Kidney beans	1	1	–	
Lentils	1	1	–	

<u>Soft Grains</u> <u>Hard Grains</u> <u>Seeds</u> <u>Legumes</u>	Mockmill Professional 100 Milling Scale	Mockmill Professional 200 Milling Scale	Essential oils	Special Notes
Lupin seeds	2	2	–	
Corn/Maize	1–2	1–2	–	No Popcorn
Milo (Grain Sorghum)	0–1	2–2,5	–	
Hulled barley	1	1	–	
Natural long grain rice	0–1	0–1	–	No parboiled rice
Pinto beans	2	1–2	–	
Quinoa	0–1	0–1	–	
Rye	1	1	–	
Soya beans	1–2	5	–	
Teff	0–1	0–1	–	
White beans	0–1	0–1	–	
Wheat	1	1	–	

<u>Herbs & Spices</u>	Mockmill Professional 100 Milling Scale	Mockmill Professional 200 Milling Scale	Essential oils	Special Notes
Anis whole	4	4–5	✓	
Fenugreek seeds	1	2–2,5	–	
Fennel seeds	2	3	✓	
Rosemary (dried)	2	2	–	
Cardamon pods	0–1	0–1	✓	
Coriander seeds	1	2	✓	
Cumin	4	4	✓	
Caraway seeds	4–5	5	✓	
Cloves	3	4	✓	
Allspice	1	1	–	
Star Anise	2–3	3	✓	Cut into small pieces
Pepper	2	2	–	
Tonka beans	9–10	10	✓	
Cinnamon flowers	0–1	2	✓	
Cinnamon sticks	1	1	–	Cut into small pieces

SUBSTANCES FOR MILLING AND ADJUSTING THE SETTINGS

You can use your Mockmill to mill all foods listed on pages 12 - 14.

Milling substances other than those listed or on our website may damage your mill and void the warranty.

Do you have an idea or would you like to try something that you can not find on the list? Then please send us a mail to info@mockmill.com. We would like to support you and your milling ideas.

The Mockmill is set so that you can hear a slight milling noise from stones at scale position 1 when idling without grain.

This is the finest setting and with the scale position 20 you get coarse result. When an even coarser result is required then you can turn past the scale 20.

A video on this topic can be found on our website under Service/Help on **mockmill.com**

TROUBLESHOOTING

In the unlikely event that you experience a problem with your Mockmill, or should you have any questions as to how it works, please call us or send us an e-mail to info@mockmill.com (USA and Canada support@mockmill.com). Our experts can solve virtually all problems on the phone.

Listed below are some possible problems and how they can be usually resolved.

The mockmill is humming, but it does not mill

Switch off the Mockmill and adjust the scale to position 10. Turn the Mockmill on. The milling should start again.

Please make sure that you always switch the Mockmill first and then fill with grains.

When the Mockmill is still humming

Switch off the Mockmill and remove from the mains. Empty all grains from the hopper this can be done by turning the Mockmill upside down. Then turn the hopper past scale 20. The mill can now be switched back on. The remaining flour then comes out. Now adjust again the scale to the required fineness and then fill with grains.

Please make sure that you always switch the Mockmill first and then fill with grains.



**MADE IN
GERMANY**

Mockmill does not mill fine /

A film has formed on the milling stones

In the case that a hard film has built up on the stones and cannot be removed by milling coarser please open the Mockmill as described in page 10. Now you can cut a few slits into the films surface by using a sharp object, such as the tip of a paring knife. Now close the Mockmill as described in page 10. Move the scale to a coarse setting and then mill 1-2 cups of grains. With these slits being made it makes it easier for the grains to remove the film.

WARRANTY & REPAIR

The Mockmill is guaranteed by Wolfgang Mock GmbH for home use against material and manufacturing defects for a period of 12 years and for commercial use 2 years from the date of purchase. Please register your device online under Service/Help on **mockmill.com** to ensure that your warranty is valid.

The warranty does not cover damage to fragile parts, such as the hopper or flour chute, when caused by improper use. These can, however, easily be replaced at a little or no cost to you. We will repair or replace any defective Mockmill within the warranty period.

If repair or replacement parts are required, please call us or send an email to **info@mockmill.com (USA and Canada support@mockmill.com)** before returning the defective mill so that we can locate the nearest authorized service center for you.

TRANSPORT PACKAGING AND RECYCLING

Transport packaging

The packaging protects the Mockmill Professional 100/200 from transport damage. Keep the original box and the internal packaging, so that you can transport the appliance safely at a later date.

Disposal of an old appliance

Only for the European Union and countries with recycling systems. The crossed out wheellie bin logo that is featured on products, packaging and/or accompanying documents means that you must neither place used electrical and electronic items nor batteries into the general waste container.

You must instead comply with the statutory regulations and take old products and used batteries to your local facility for treatment, reprocessing and/or recycling. By disposing of these products and batteries in the appropriate way, you help protect valuable resources and prevent potentially negative effects on human health and the environment. For more information on collecting and recycling waste, please contact your local waste disposal service provider. In accordance with national regulations, failing to dispose of such waste in the correct way may lead to fines.



Never throw the Mockmill in your household trash.

Instead, make use of the official collection centers for the recycling of electrical and electronic devices operated by your local authority, your dealer or Wolfgang Mock. It is your legal responsibility to eradicate at the time of disposal any personal information you inscribe on the appliance. Please ensure that when decommissioned, your appliance is stored out of the reach of children.

TECHNICAL DETAILS AND CONTENTS

Description

Grain mill type:
Mockmill Professional 100/
Mockmill Professional 200

Power

360 W / 600 W

Voltage & Milling Speed

230 V (50 Hz)
Approx. 1 300 rpm
110 V (60 Hz)
Approx. 1 500 rpm

Protection class

1

Dimensions

380 x 242 x 208 mm
15 x 9.5 x 8 inch

Milling mechanism

Corundum ceramic milling stones

Milling grades

Variable from very fine to very coarse.

Milling efficiency with wheat

Approx. 100 g / 200 g per minute
Approx. 3.5 oz / 7 oz per minute

Casing

Wood, HI-MACS® Natural Acrylic Stone™

Hopper capacity with wheat

1 300 g
2 lbs 14 oz

Weight

8.1 kg / 9,4 kg
14 lbs 8.8 oz / 20 lbs 11.5 oz

Cable length

Approx. 150 cm
Approx. 6 ft

Contents

Mockmill with hopper cover
User manual

Mockmill ®

WOLFGANG MOCK GMBH

Habitzheimer Straße 14

64853 Otzberg

+49 6162-50 99 6 60

info@mockmill.com

mockmill.com

